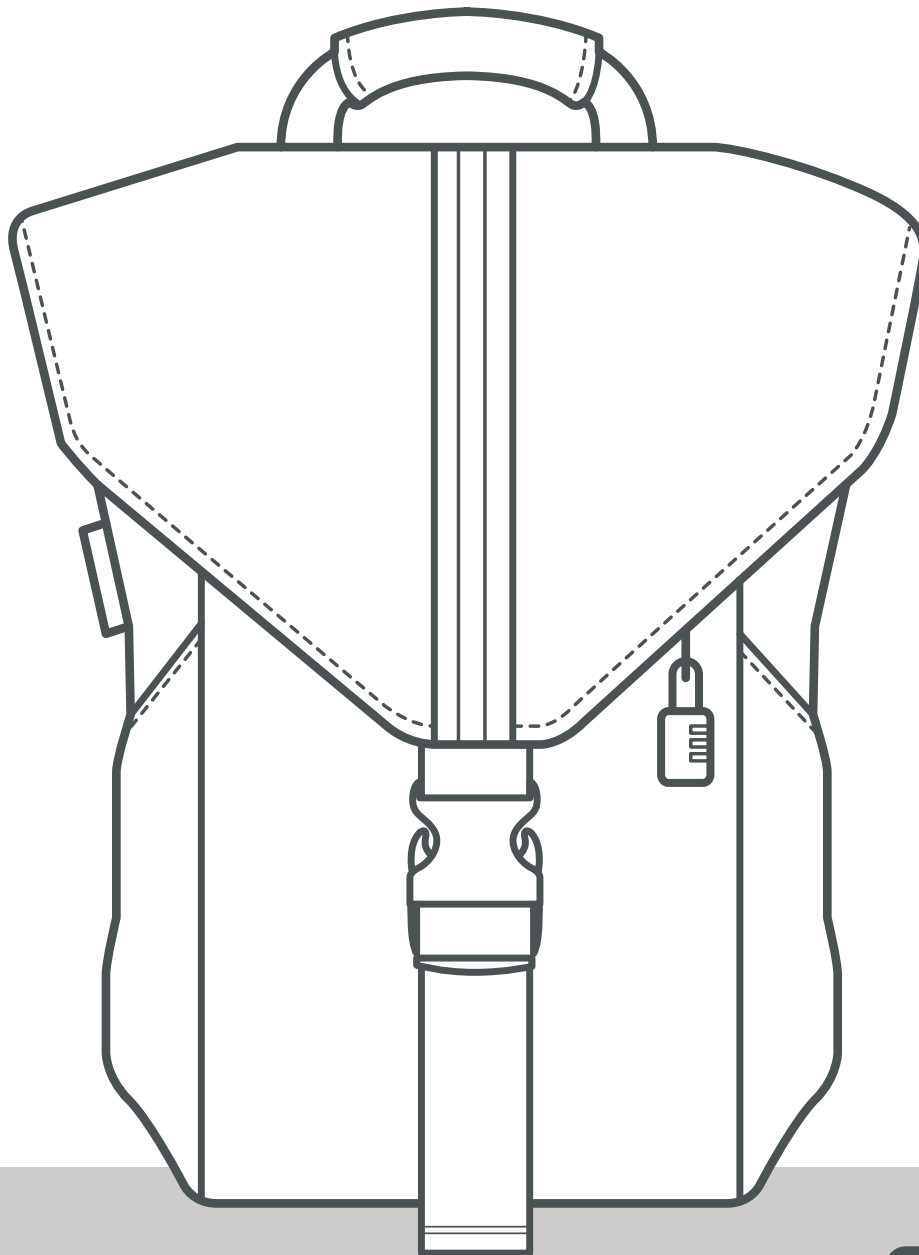
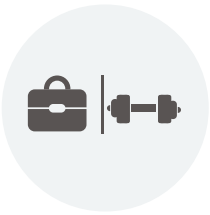


Vandra

SWEDISH, SAFE & SMART BACKPACK

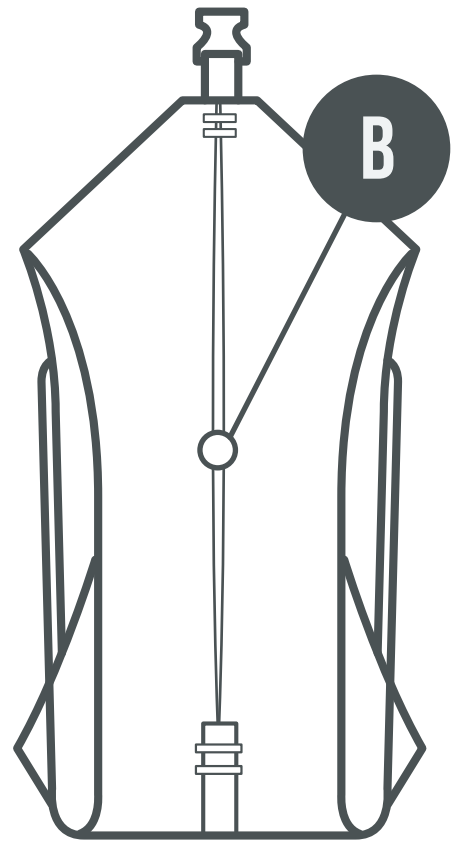
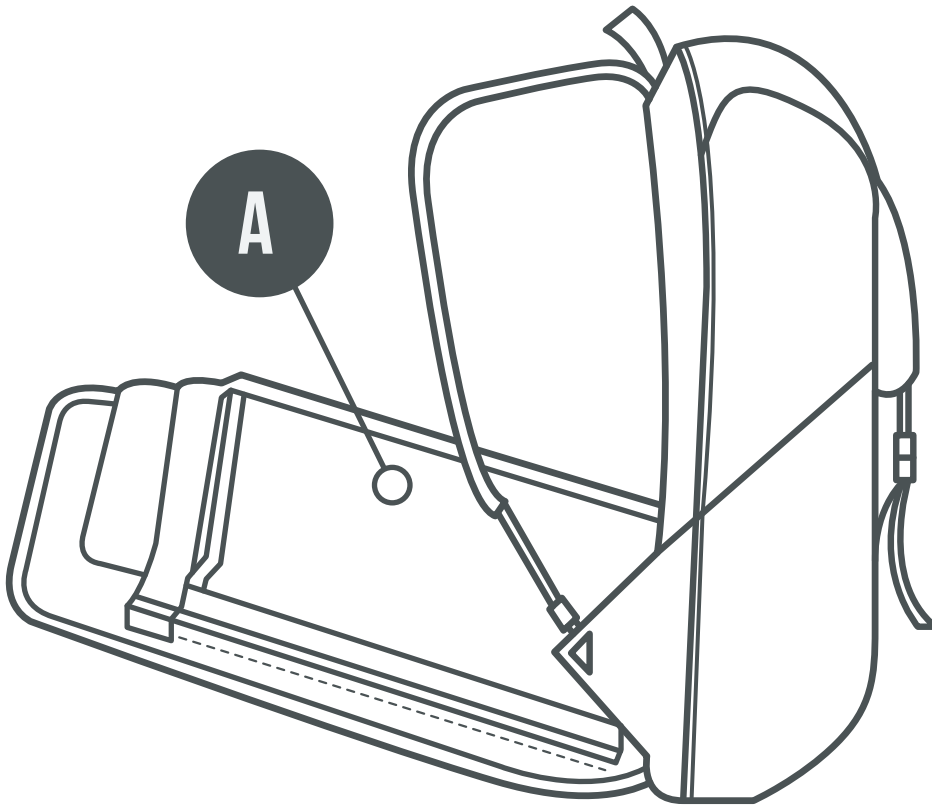
USER GUIDE





1

TWO DIFFERENT COMPARTMENTS TO SEPARATE YOUR LAPTOP AND OFFICE/SCHOOL GADGETS FROM YOUR WET TOWELS AND DIRTY SPORTS CLOTHES.

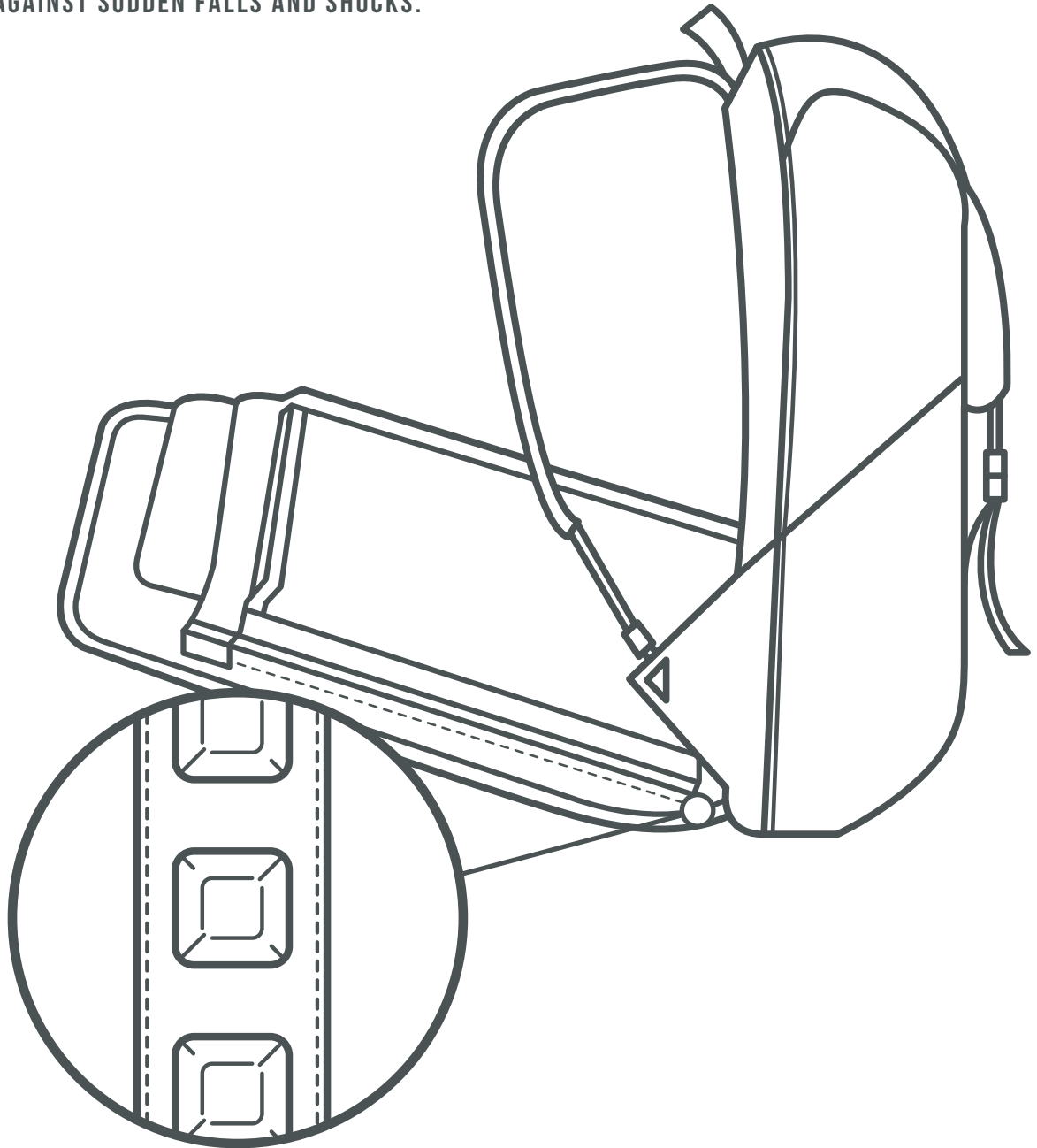


Vandra



2

PATENT PENDING ANTI-SHOCK SYSTEM
TO PROTECT YOUR PERSONAL BELONGINGS
AGAINST SUDDEN FALLS AND SHOCKS.

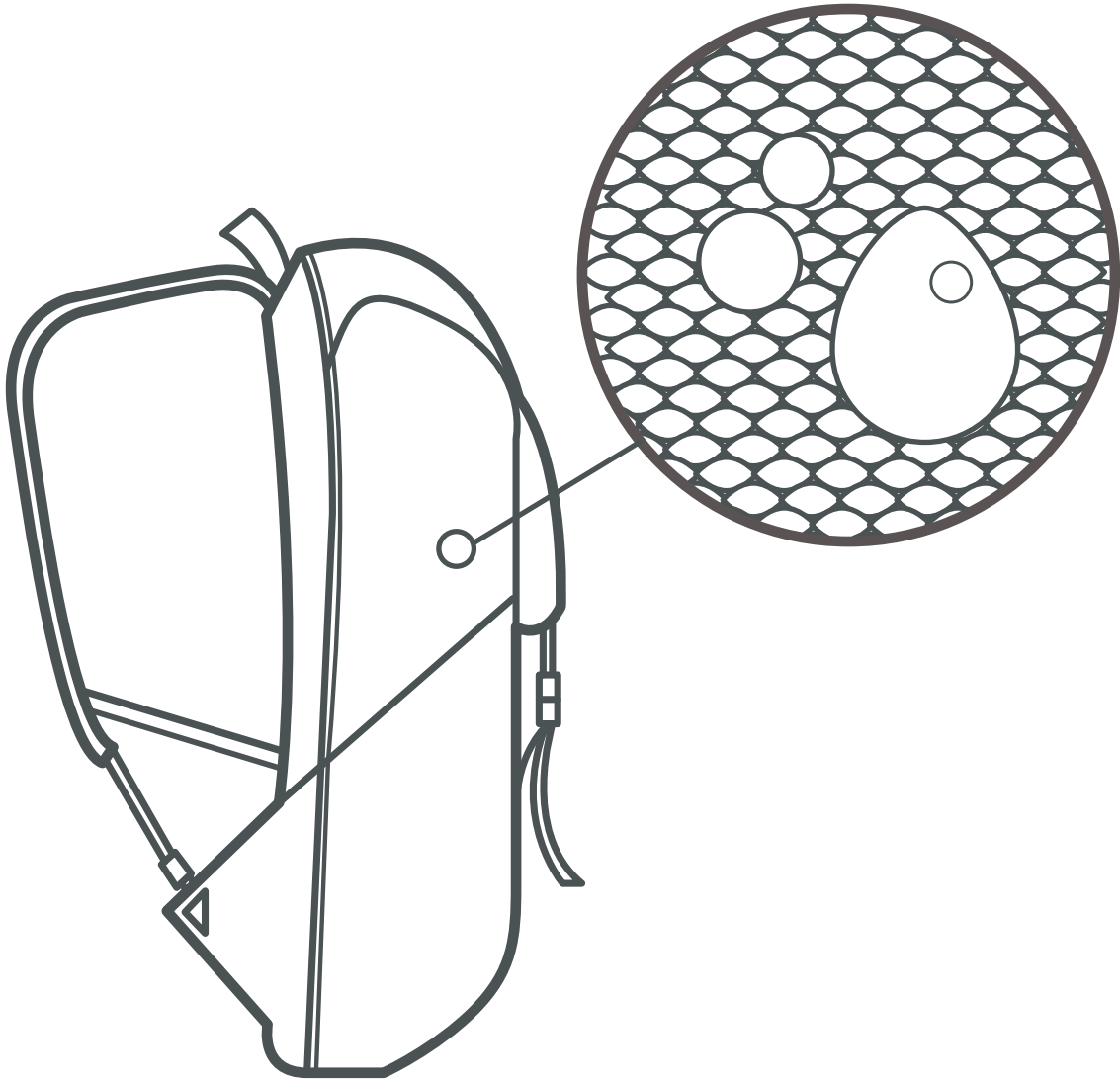


Vandra



3

WATER AND DIRT REPELLENT DESIGN.

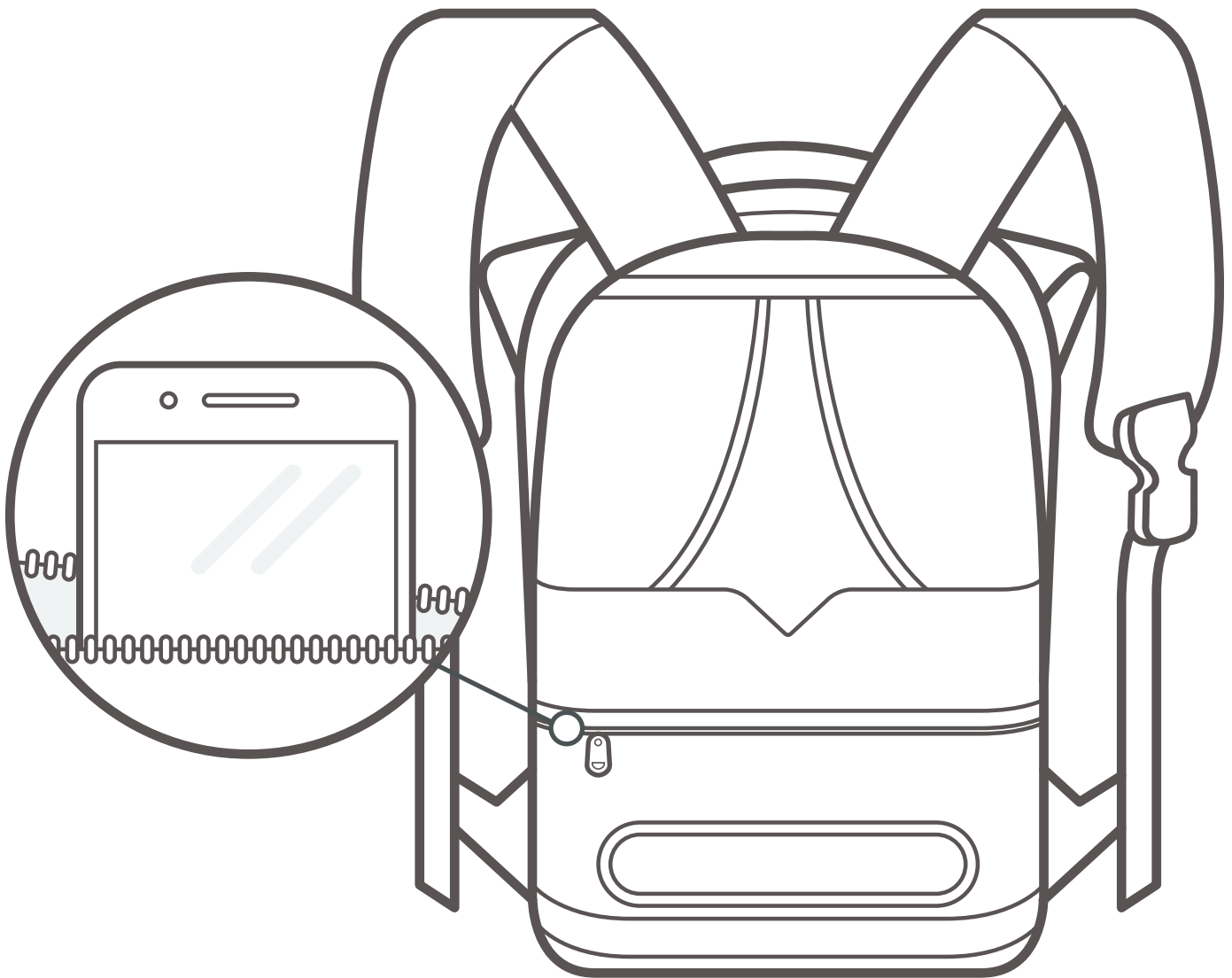


Vandra

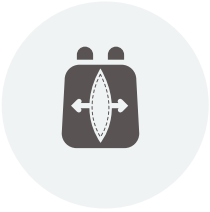


4

ANTI-THEFT EASY-ACCESS POCKET
TO HOLD YOUR PASSPORT, WALLET
OR SMART PHONE.



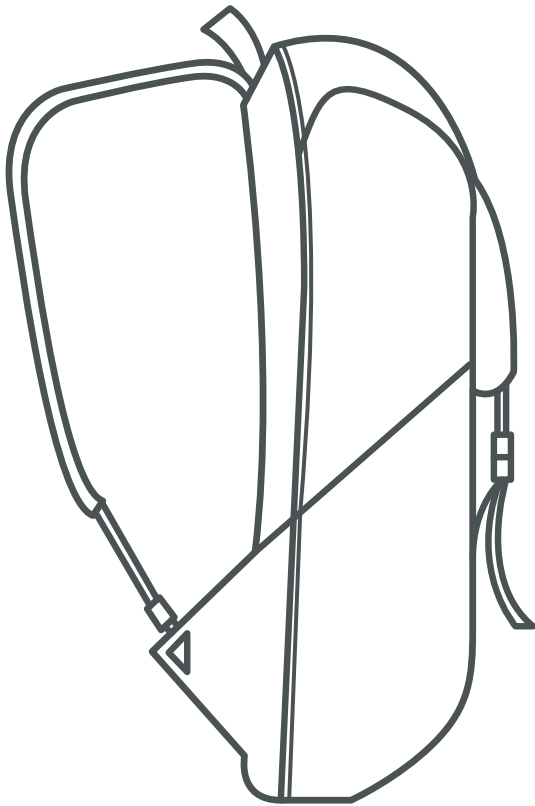
Vandra



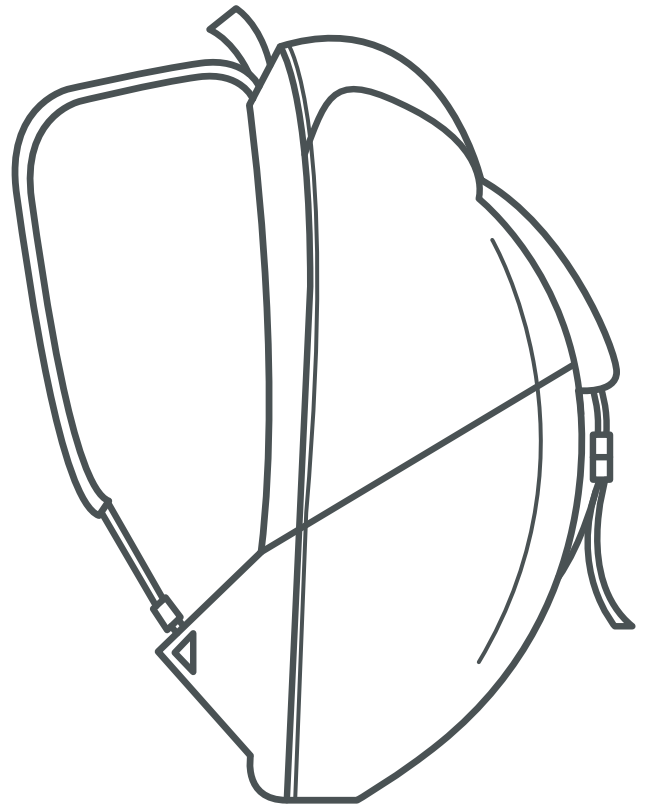
5

EXPANDABLE FRONT COMPARTMENT TO ACCOMMODATE MORE OF YOUR SPORTS GEAR.

A



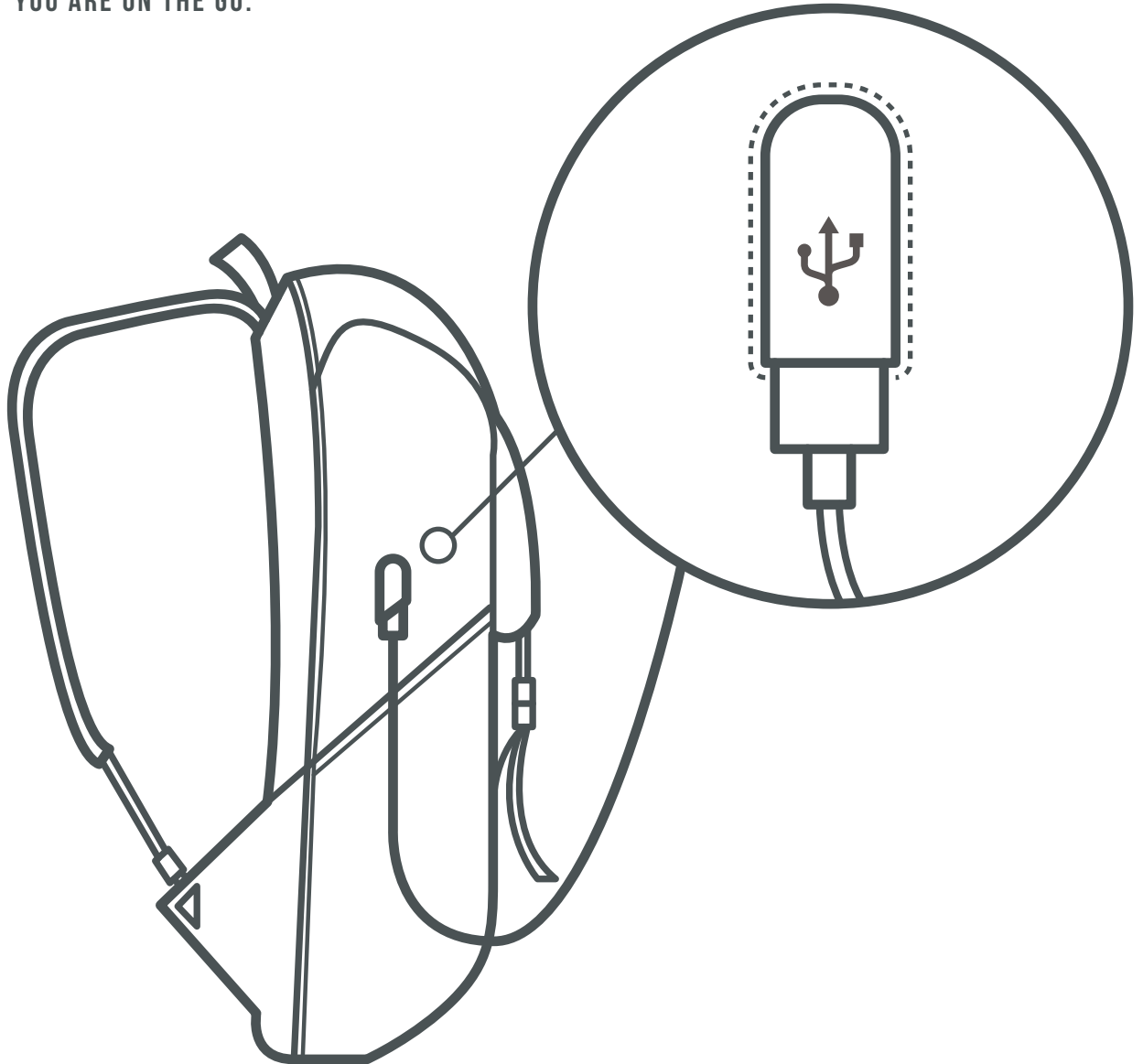
B

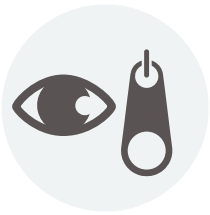




6

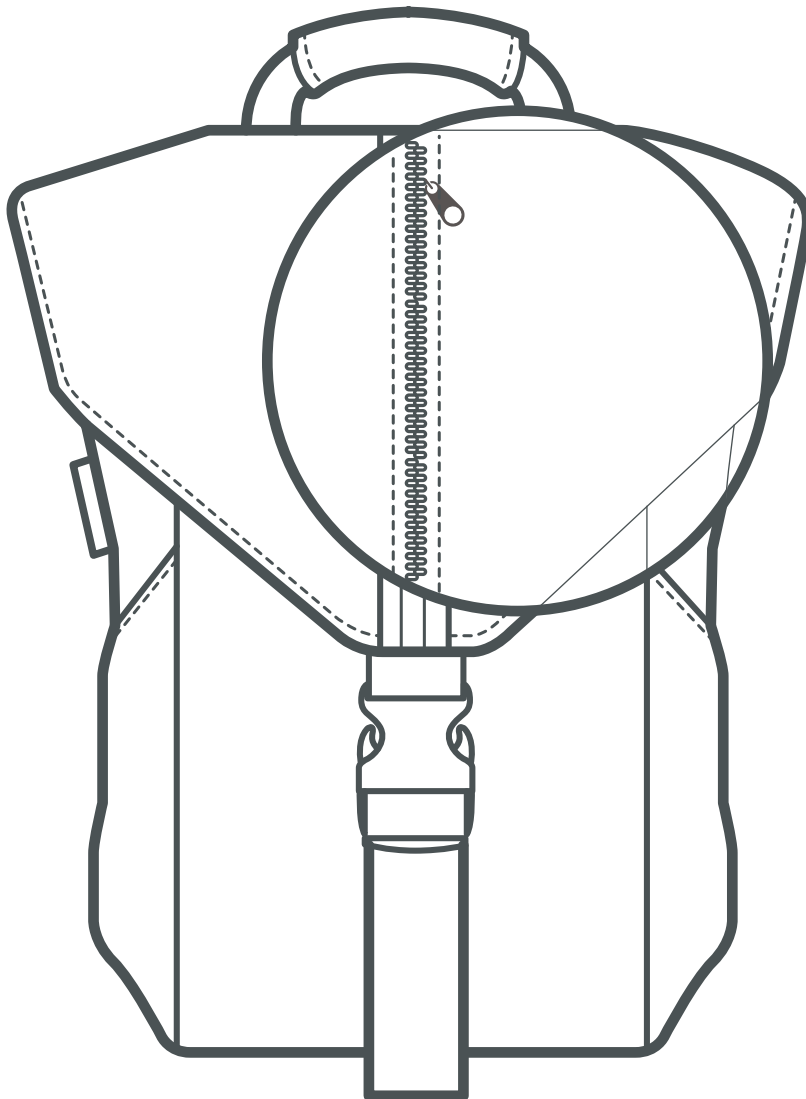
EXTERNAL USB CHARGING PORT TO CHARGE YOUR MOBILE PHONE OR TABLET WHILE YOU ARE ON THE GO.





6

COMPLETELY HIDDEN ZIPPERS.
NO ONE CAN OPEN THE ZIPPERS
FROM OUTSIDE WHEN YOU ARE
CARRYING THE BACKPACK.

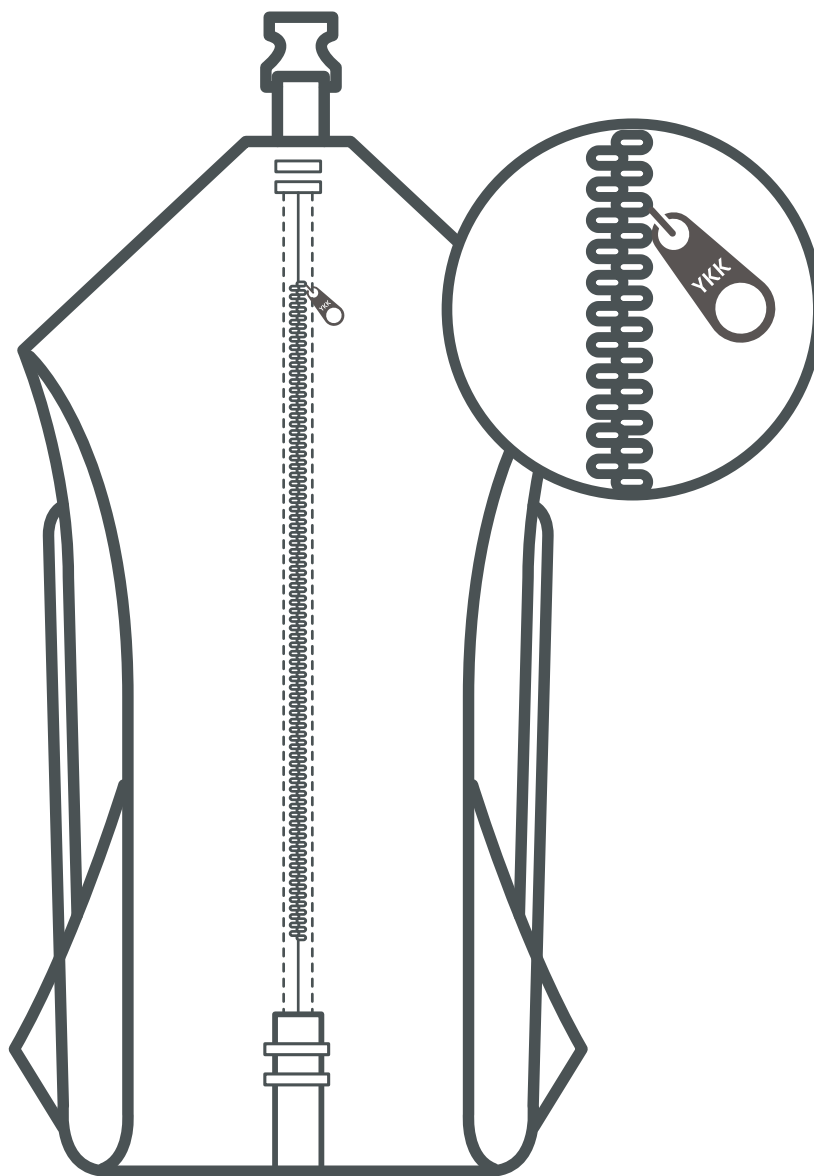


Vandra



7

STRONG AND DURABLE YKK
ZIPPERS FOR YEARS OF HARD USE.

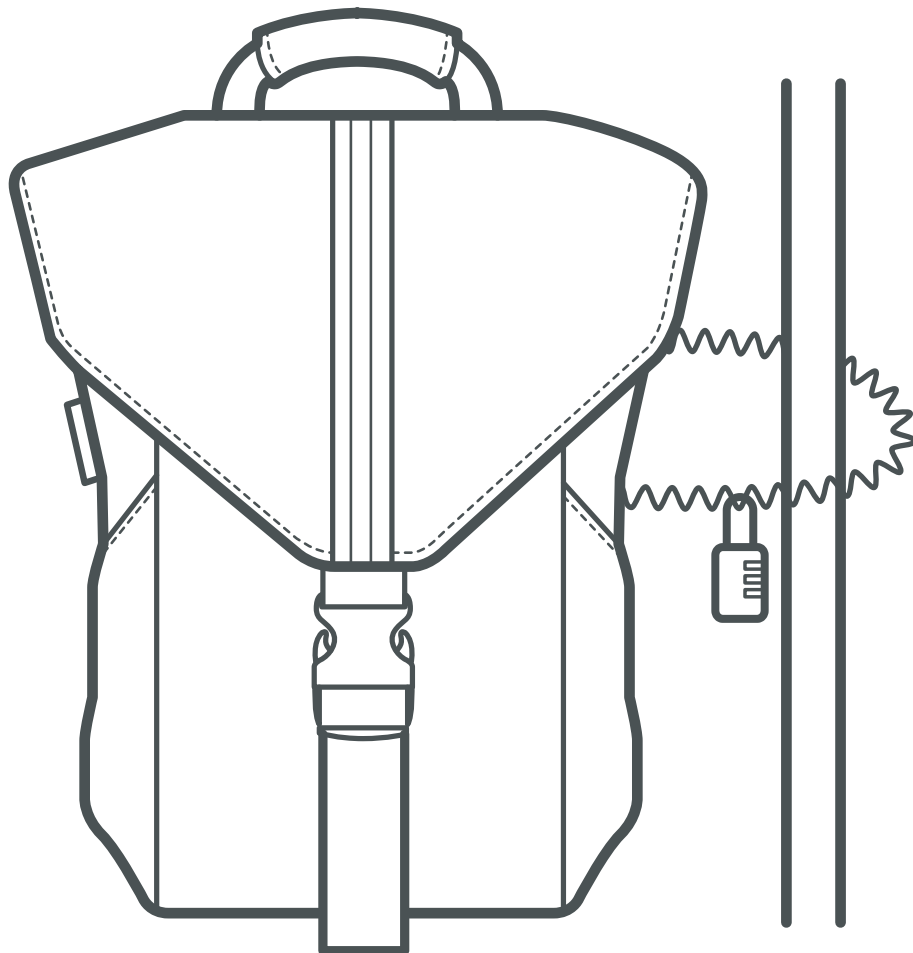


Vandra



8

THEFT-PROOF WIRED PADLOCK WITH LOCKABLE ZIPPERS. PREVENTS THIEVES FROM GETTING TO YOUR VALUABLES IN PUBLIC PLACES.

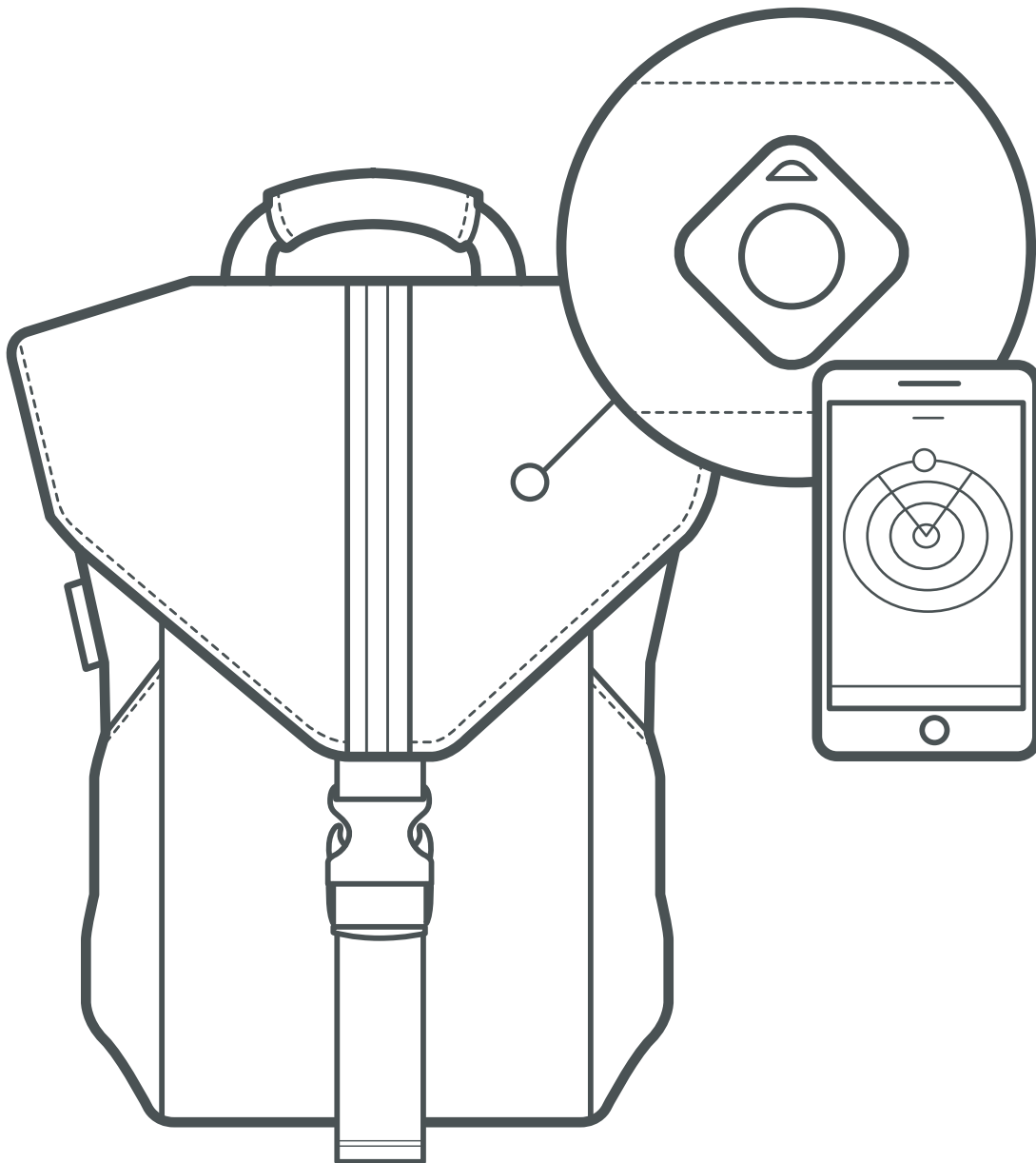


Vandra



9

BLUETOOTH 4.0
LOST AND FOUND TRACKER.

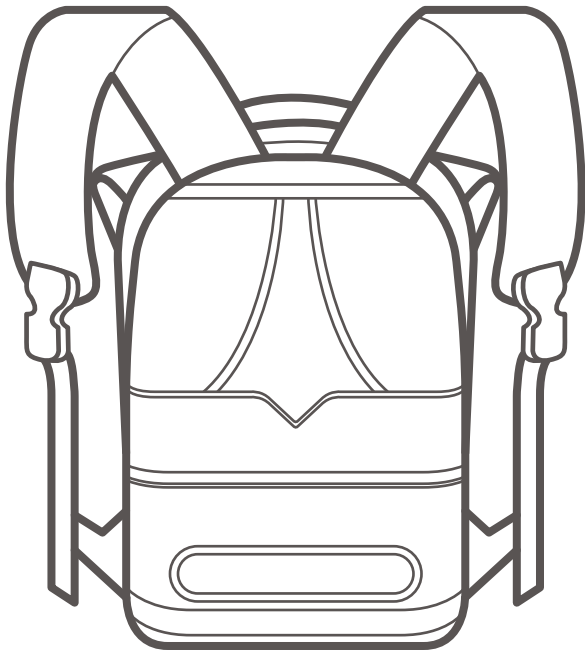


Vandra

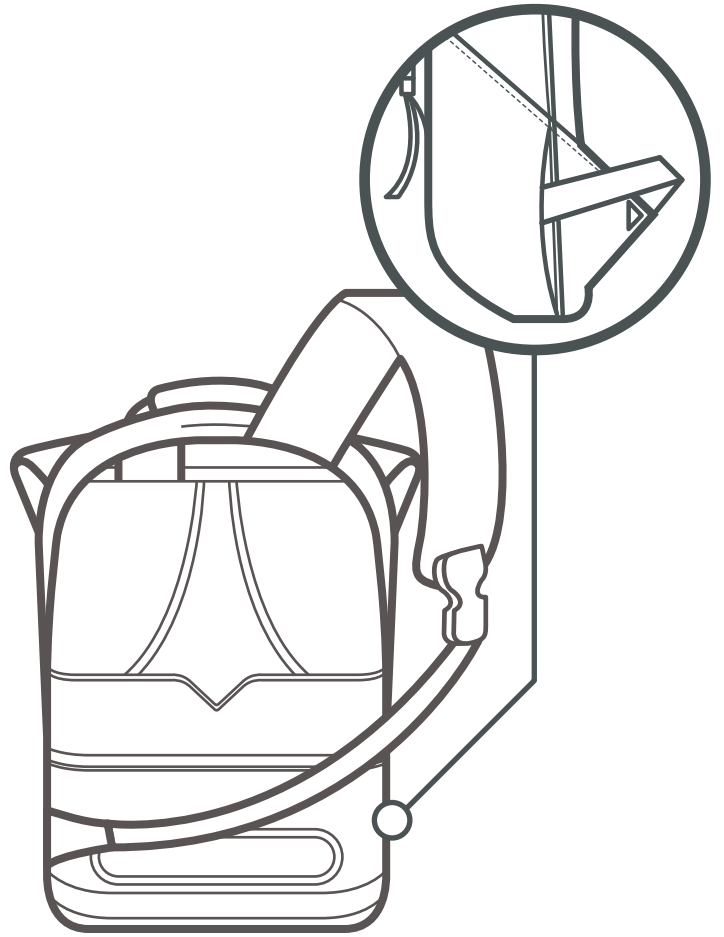


10

EASILY CONVERTIBLE FROM
BACKPACK TO SLING BACKPACK.



A



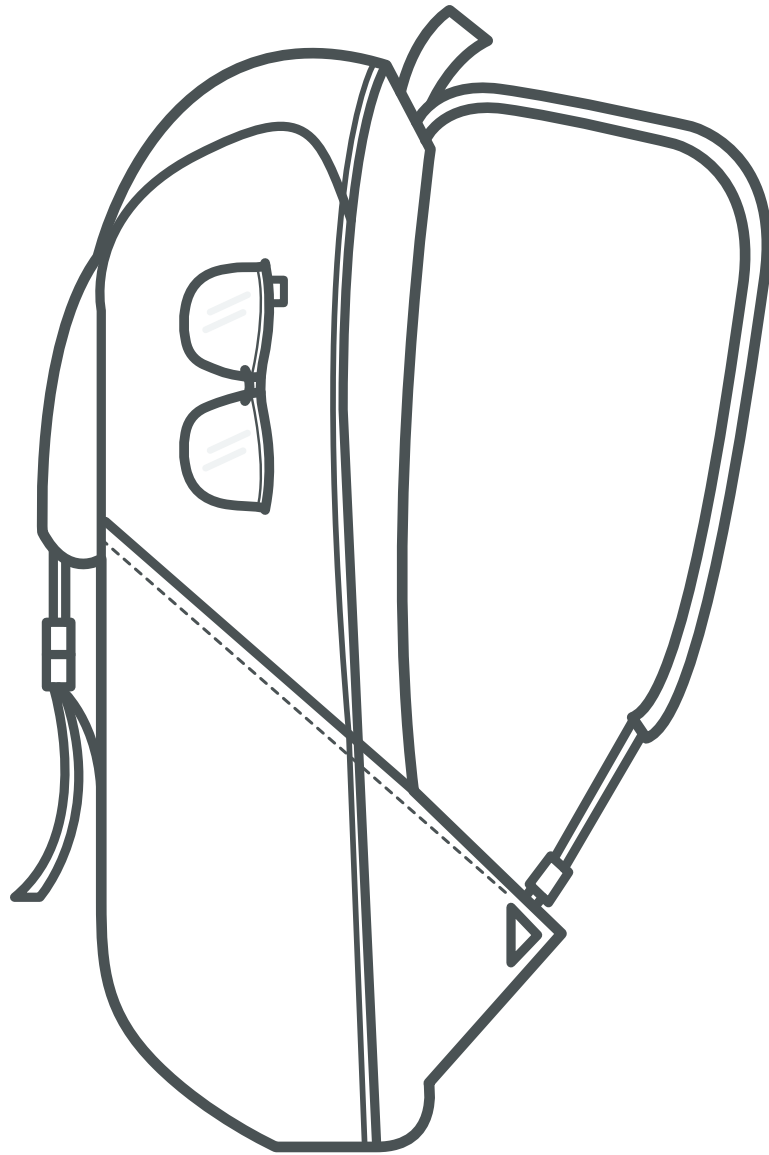
B

Vandra



11

SUNGLASS HOLDER.

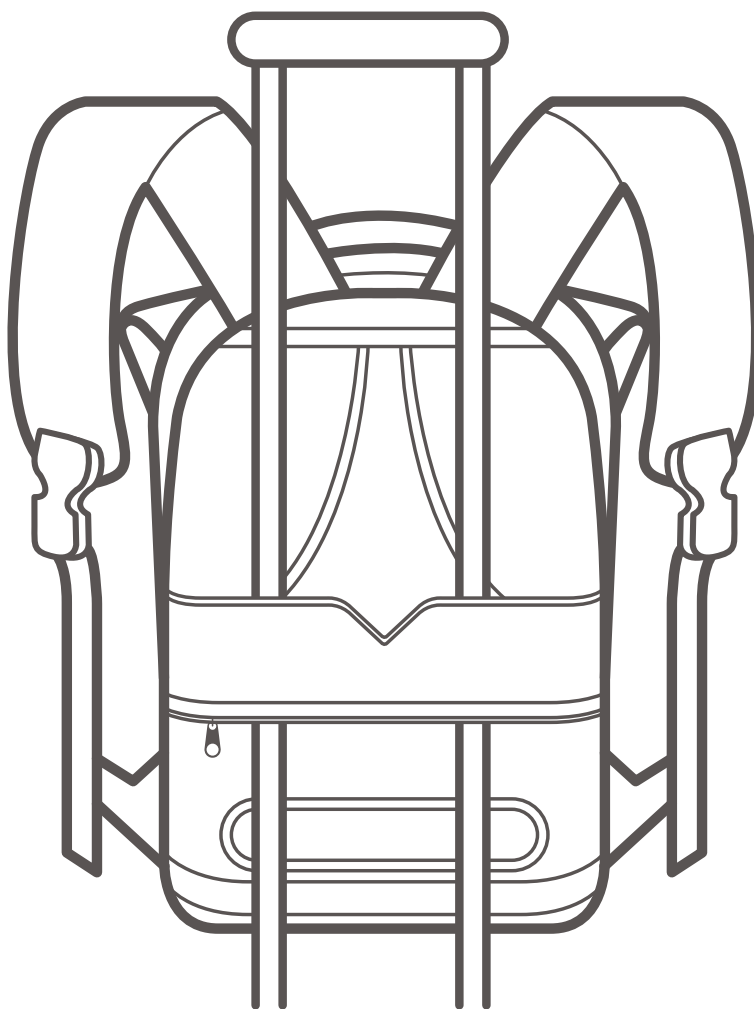


Vandra



12

TROLLEY HANDLE STRAP.

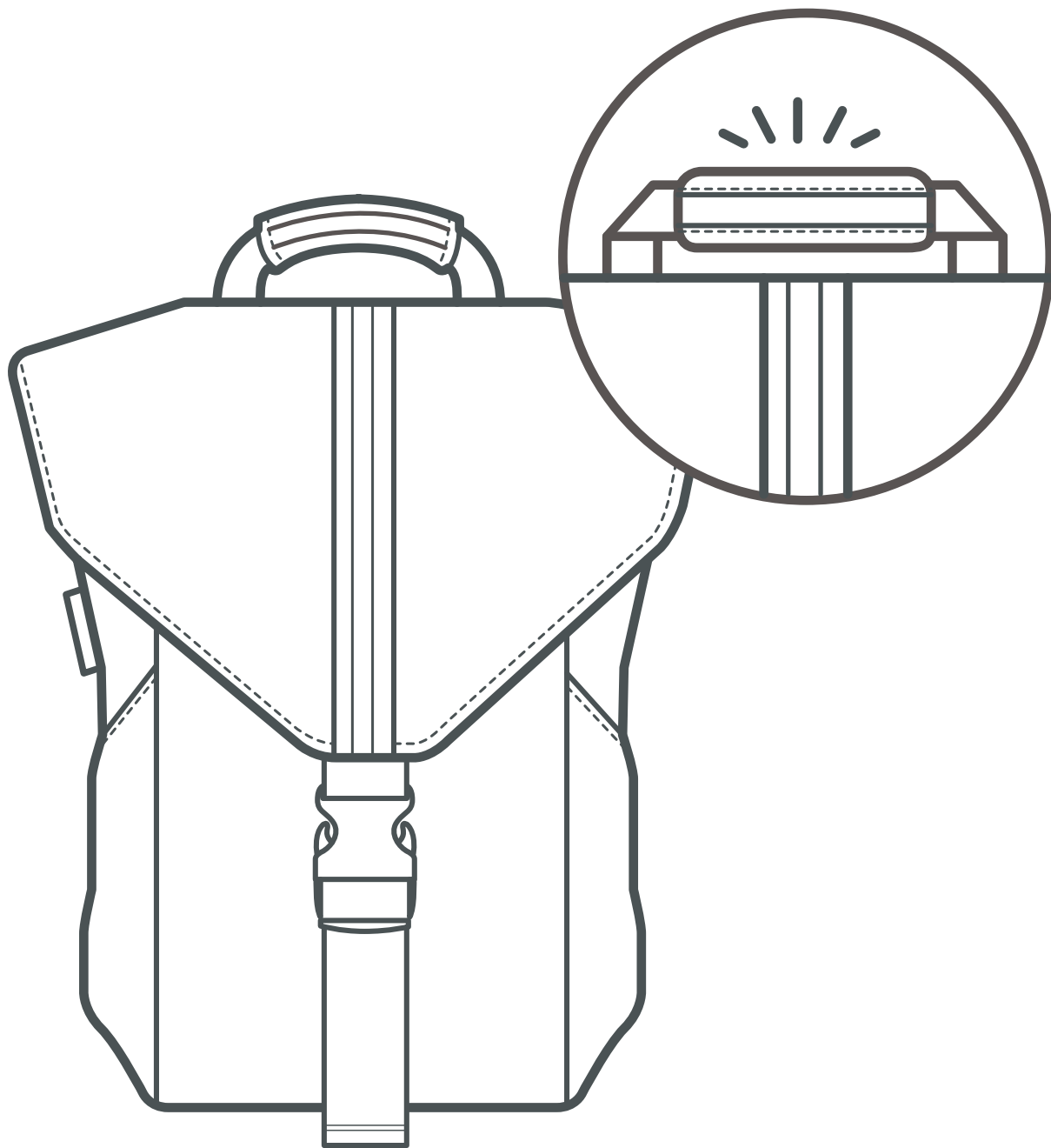


Vandra



14

ROAD SAFETY REFLECTOR STRIPS.

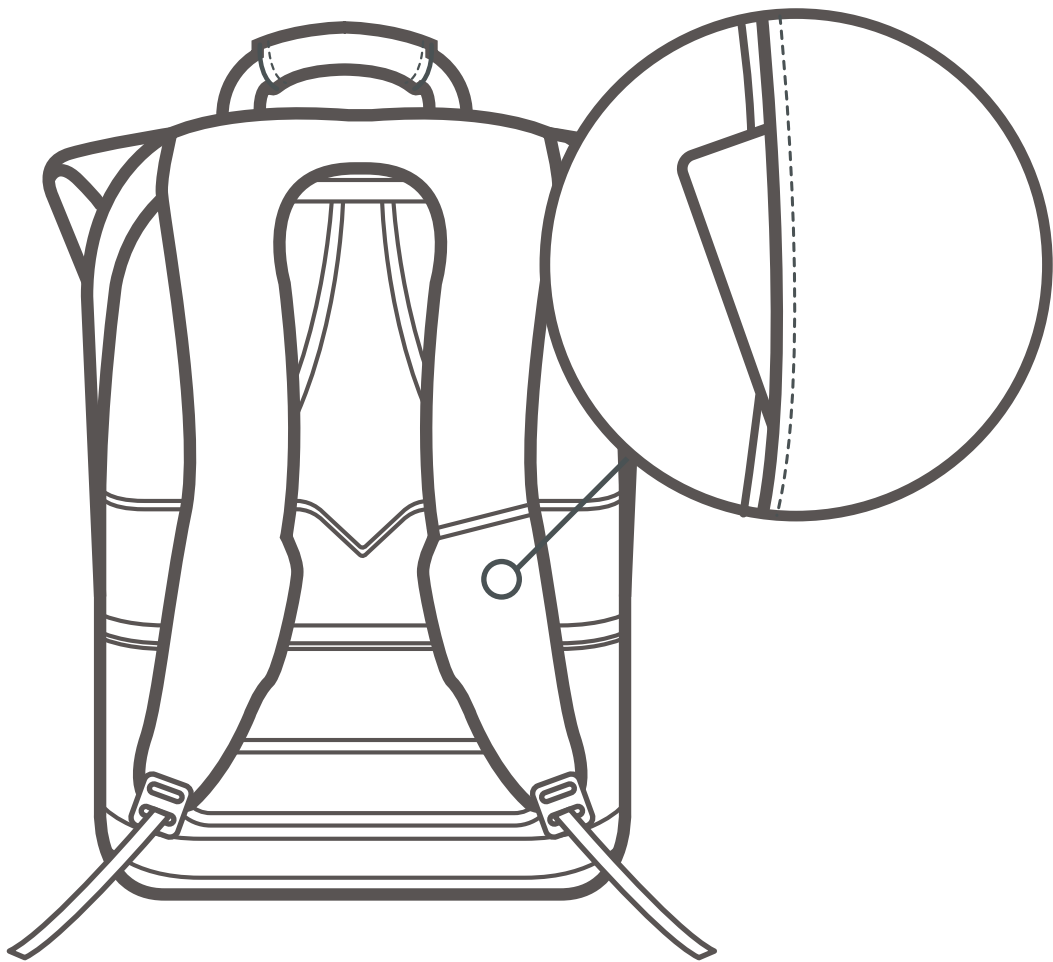


Vandra



15

EASY ACCESS CARD HOLDER.



Vandra